

# MI0A112T - Ingénierie du logiciel avancé

Tableau de bord / Cours / S2 - MI0A112T

## Modern Requirements and Business Analysis 3 - Requirements Engineering Practice

Jean-Michel Bruel

[UE 1002 – Spécification des exigences](#)

<https://bit.ly/jimbruel>



@SmartModelTeam



<https://github.com/smart-researchteam>

OFFICIAL  
REFERENCE:

<https://iris.univ-tlse2.fr/course/view.php?id=3645>

HOW TO CITE:

Jean-Michel Bruel, "Cours Ingénierie des Exigences – Master ICE". Toulouse, 2024.



*If you have any content that I did not reference well or that should be removed, please do not hesitate to contact me so that I can correct this presentation.*



Get my slides (pdf)

# Outline

- (22/04) 4h - Introduction to RE
- ~~(24/04) 4h - Practical aspects~~
- (29/04) 4h - PEGS approach / Reqs taxonomy
- (02/05) 4h - **Practice & Case studies preparations**
- (02/05) 2h - Introduction to STIMULUS / Practice
- (06/05) 2h - PEGS approach / Reqs taxonomy
- (07/05) 6h - Project #phase1
- (15/05) 4h - Project #phase2
- (17/05) 3h - Project presentation / Feedback

OVERVIEW/ TEASING

PRACTICE

PRACTICE

ACTIVE  
PARTICIPATION



# Ready for a quiz?

socrative

K-12 Higher Ed Corporate Pricing Apps Blog Support Contact Sales **Login**

## Meet Socrative

Effortlessly assess and engage your students while visualizing learning progress with instant results.

**Student Login**

**Teacher Login**

Don't have an account?  
[Sign up now!](#)

Quiz and Grade at the Speed of Learning

student

Download on the App Store

Available in the Chrome Web Store

GET IT ON Google Play

## Student Login

Room Name

**JMB42**

**JOIN**

<https://www.socrative.com/>

# Case studies

# Time to make some decisions

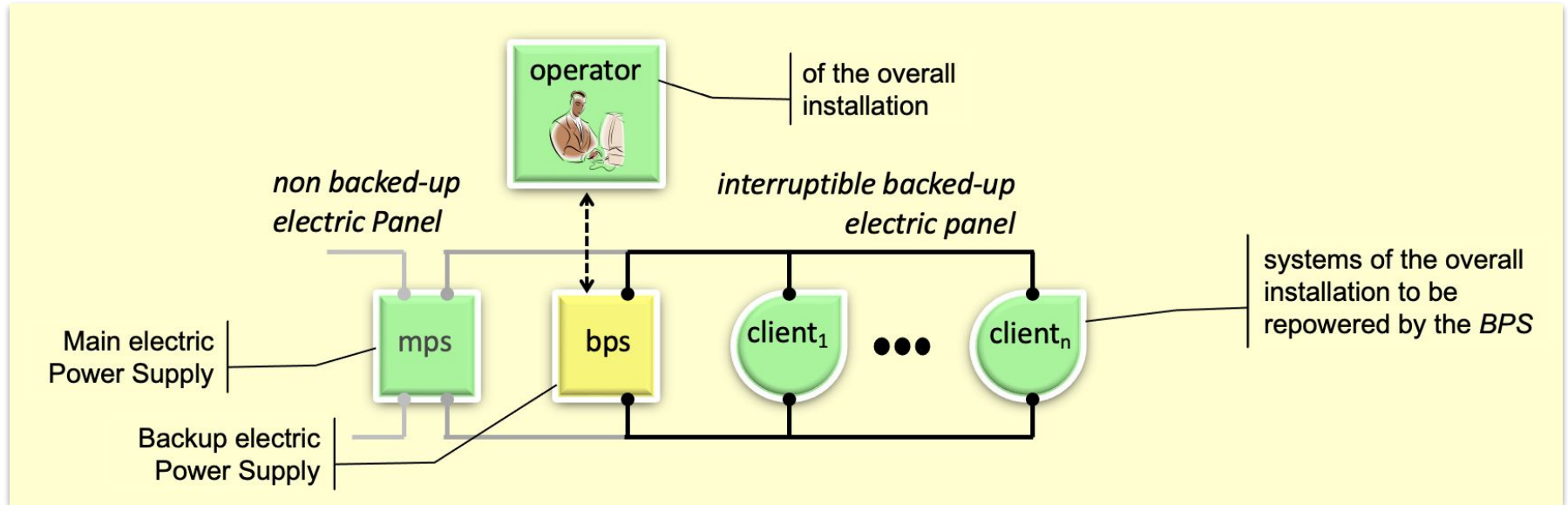
## Case studies:

1. Backup Power Supply
2. Library Management System
3. Mailbox “Max Pro”

## Different possibilities:

- All the groups have the same subject
- Every group choose its subject
- Every group has a (random) subject among the proposed ones
- ...

# BPS: Backup Power Supply



# LMS: Library Management System



## Resources:

- <https://github.com/ddd-by-examples/library?ref=hackernoon.com#domain-description>
- <https://www.naukri.com/code360/library/design-a-library-management-system-low-level-design>



# BAL 3000 Turbo Max Pro

Master 2 ICE-LD 2023/2024

Muriel Trèzeguet - Jean Luc Priane

## Du bon, de la boîte et des truands

Le 26 Avril à 18h à la Fabrique Culturelle



practice

# Practice 1: Case studies

PROJECT

- Sprint #0
  - Teams (1–3 students)
  - Choice of Case Study
  - [GitHub Classroom](#)

The screenshot shows the GitHub Classroom interface for a project titled "RE 2024". At the top, it indicates the project is a "Group assignment" and is "Active". The URL is "https://classroom.github.com/a/RmR048BC". Below this, the "Assignment Details" section shows: "Total teams: 0 Rostered, 0 Not on a team"; "Accepted teams: 9 Teams"; and "Assignment submissions: 2 Submitted, 7 Not submitted". A search bar and filters are present. The main table lists teams with their submission status and links to repositories and feedback.

Team Name	Status	Commits	Repository	Feedback
Benji + Roro	Not submitted	0	Repository	Feedback
Chris	Not submitted	0	Repository	Feedback
hajar+lou+amélie	Not submitted	0	Repository	Feedback
ismael	Not submitted	0	Repository	Feedback
JOALLAND_BETH	Submitted	1 (latest commit 20 minutes ago)	Repository	Feedback
Les_Chauves	Not submitted	0	Repository	Feedback
Louna + Florian	Not submitted	0	Repository	Feedback
Management	Submitted	3 (latest commit 3 minutes ago)	Repository	Feedback
peio et williams	Not submitted	0	Repository	Feedback

## Practice 2: Collaborative experience

EXERCICE

- [Elaastic Platform](#)
- <https://www.irit.fr/elaastic/>
- [Find examples](#)
- Classification



# Discussions time



Get the slides

 <https://bit.ly/jmbruel>

 @jmbruel